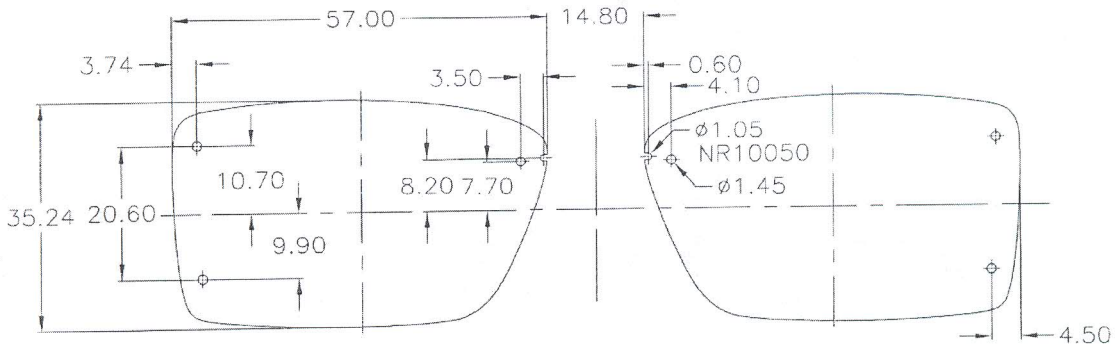
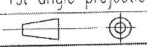


5582

TOPAZ



1st angle projection		* The dimension will refer to order & technical drawing		FILE NO : Y16\YE16223	
				: 2.0	
		DRAWN BY	21-05-12	Topaz	LENS DWG
		CHECKED BY			REVISION
		APPROVED BY			0
			DATE	NAME	
		SCALE : 1 : 1	MEASURE (MM)		
REV	MODIFY	DATE	NAME	ALL DIMENSIONS UNLESS OTHERWISE SPECIFIED x.xx : ±0.05mm ANGLE : ±1' xx.x : ±0.10mm	