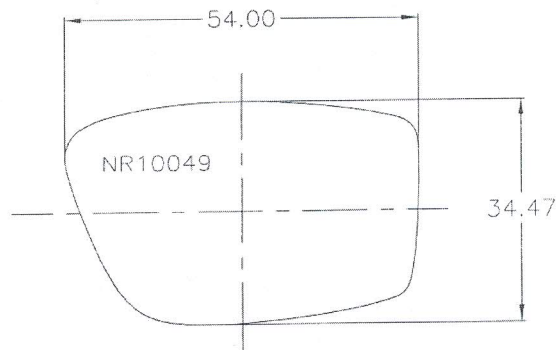


5583

MONTANA



1st angle projection		* The dimension will refer to order & technical drawing				FILE NO : Y16\YE16222		
						: NR10049 : 2.2		
			DRAWN BY	21-05-12		: G 16222 YNQRA	LENS DWG	
			CHECKED BY				REVISION	
			APPROVED BY				0	
				DATE	NAME	Montana		
				SCALE : 1 : 1	MEASURE (MM)			
REV	MODIFY	DATE	NAME	ALL DIMENSIONS UNLESS OTHERWISE SPECIFIED				
				ANGLE : ±1°				
				x.xxx : ±0.05mm				
				xxx.x : ±0.10mm				